

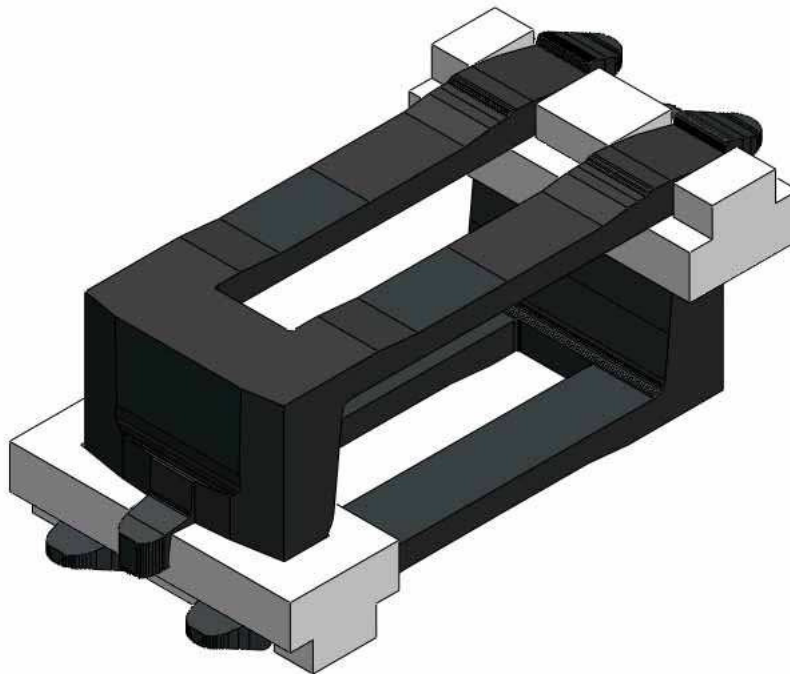
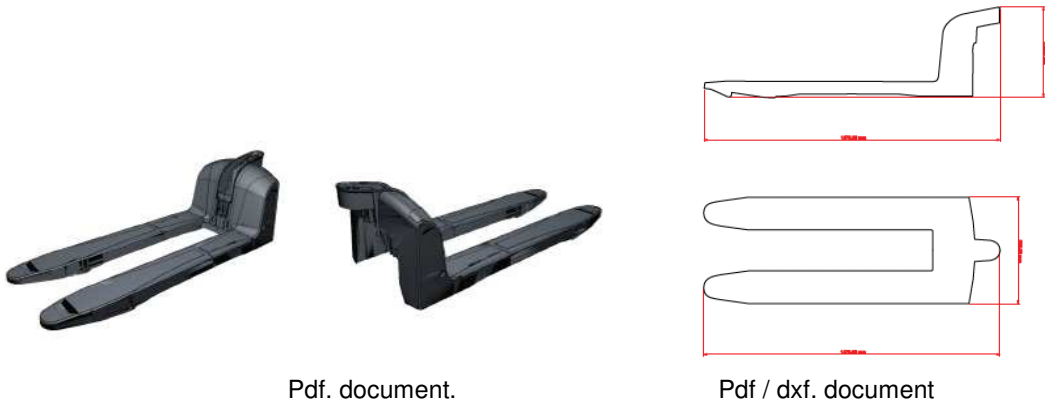
--	--	--

Study design for the realization of a protective packaging company parts FILTER.

The design is based on replacing the current protection, expanded polystyrene made in a similar piece made of cellulose.

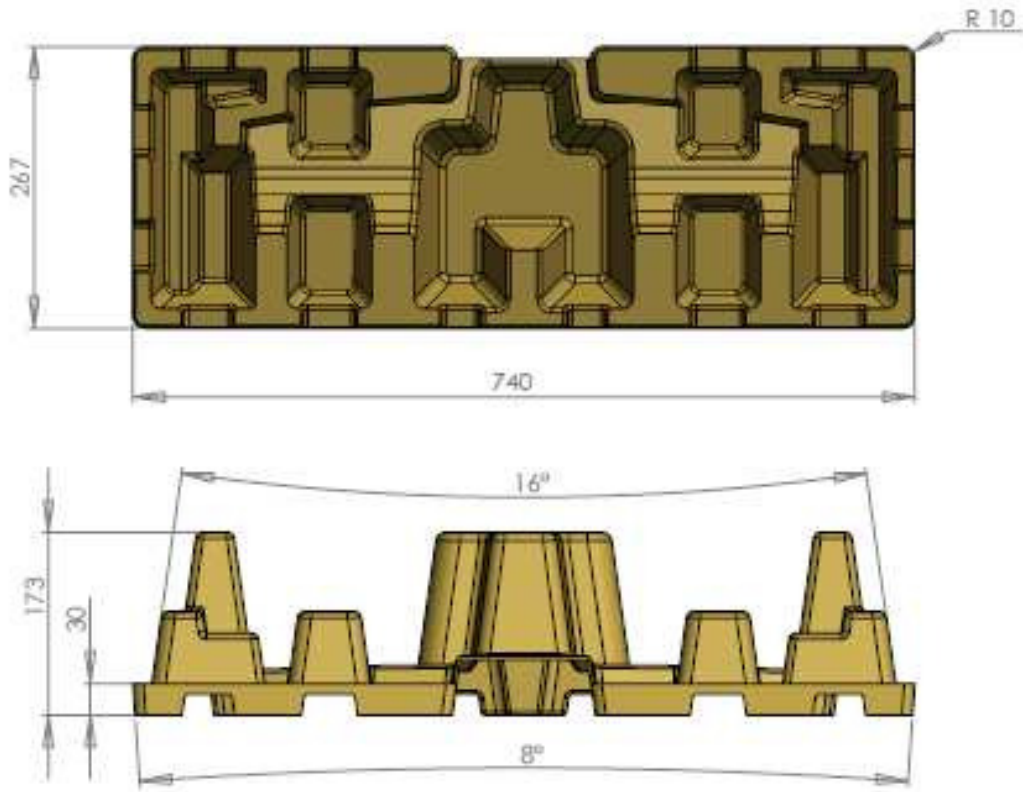
Dimensions are approximate and can be adjusted to the optimal measures in the near final design.

Information provided by the customer.

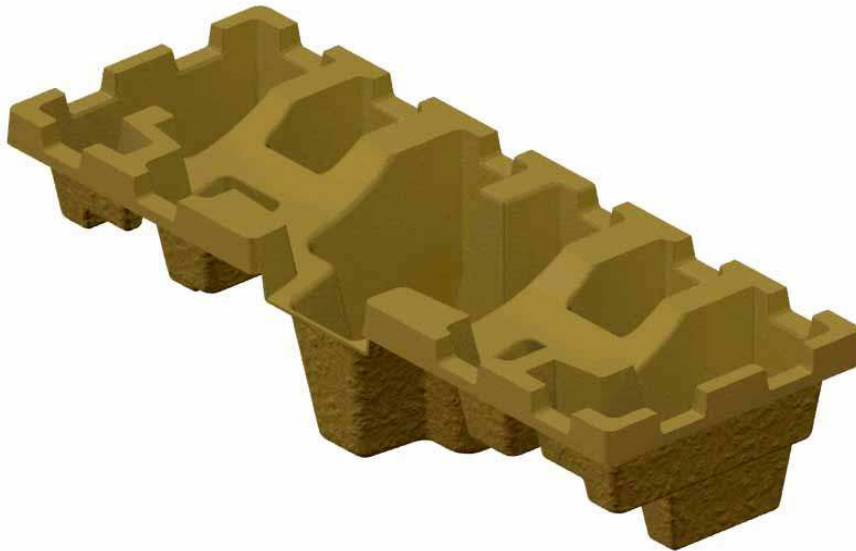


CURRENT STACK

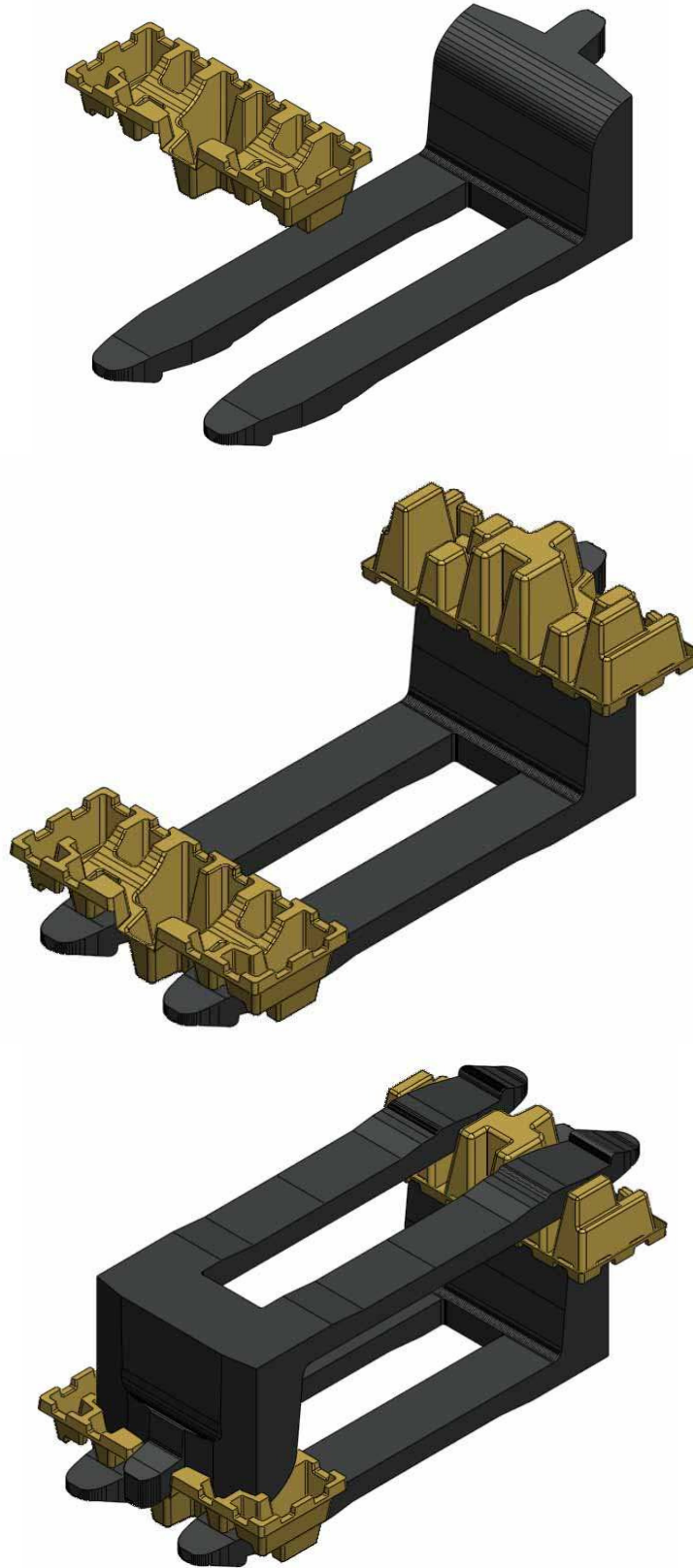
Cellulose-piece design:



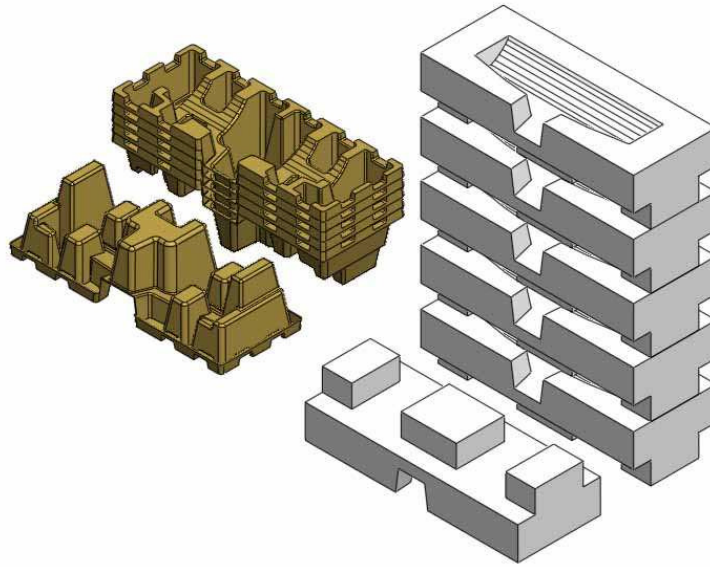
Approximate dimensions.



Isometric view



TACKING THE PROPOSED



COMPARATIVE PARTS STACKING
IMPROVEMENTS IN TRANSPORT AND STORAGE

